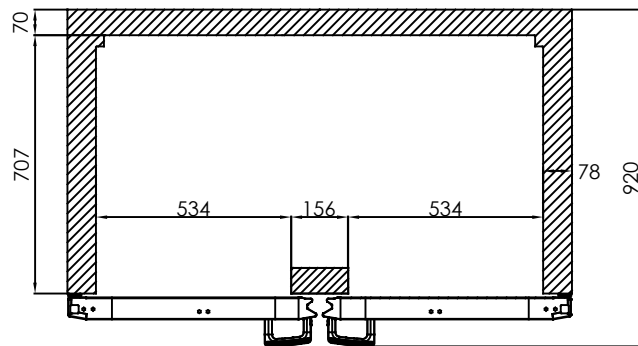
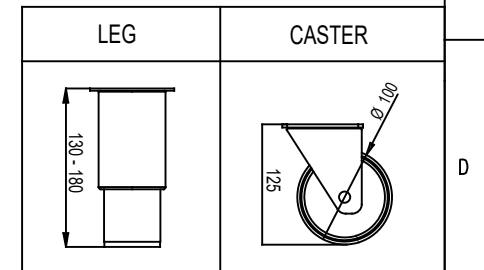


A-A



B-B



R&D	DATE	GENERAL TOLERANCES	HOSHIZAKI	
DRAWN		DIN 7168 M		
CONTROL			DESCRIPTION	PREMIER 140 KG
APPROV.			DESCRIPTION 2	
	REVISION		SCALE	1:100
			DRAWING NO	

DO NOT SCALE FROM DRAWING!

ALL DIMENSIONS ARE IN (mm)